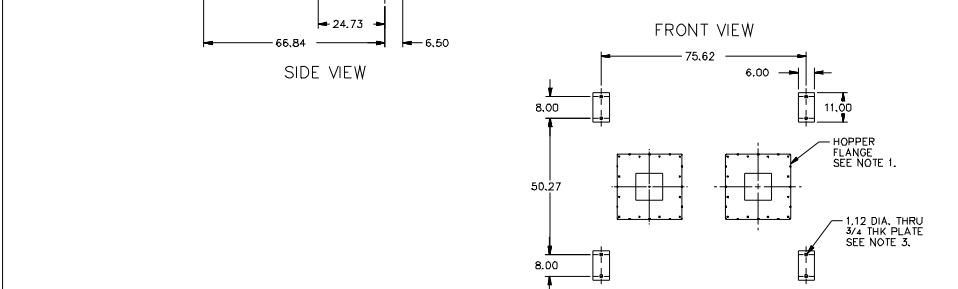
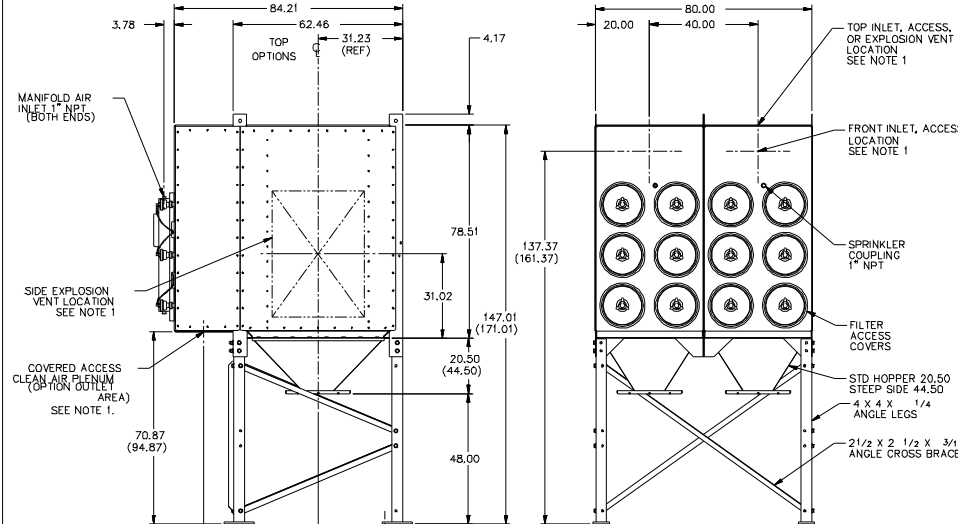


THIS DOCUMENT CONTAINS INFORMATION PROPRIETARY TO THE DONALDSON COMPANY. UNLESS SPECIFICALLY INDICATED OTHERWISE, ALL RIGHTS TO THE DONALDSON COMPANY ARE RESERVED. NO PORTION OF THIS DRAWING OR ITS CONTENTS ARE TO BE REPRODUCED OR TRANSMITTED IN ANY FORM OR BY ANY MEANS, ELECTRONIC OR MECHANICAL, INCLUDING PHOTOCOPYING, RECORDING, OR BY ANY INFORMATION STORAGE AND RETRIEVAL SYSTEM, WITHOUT PERMISSION IN WRITING BY DONALDSON COMPANY, INC.



SPECIFICATIONS FOR DFT 3-24

REMOTE MOUNTED TIMER	120 VAC 50-60 HZ
NO. OF FILTERS	24 (ULTRA-WEB)
FILTER DIMENSIONS	13.84 DIA X 26 LG.
ACTUAL FILTER AREA	6096 SQ. FT.
SEISMIC RATING	ZONE 4
WIND LOAD RATING	100 MPH
NO. OF VALVES	12
COMPRESSED AIR REQUIRED	20 SCFM @ 90-100 PSIG
HOUSING RATING	-20" WG
OPERATING TEMP.	150 ° F MAX.
STANDART FINISH	BLUE
APPROX WT	4200 LBS.

EXPLOSION VENT (OPTIONAL)

USE ON NEGATIVE PRESSURE APPLICATIONS ONLY
 OPEN AREA PER VENT 8.51 SQ.FT.
 MATERIAL PTFE MEMBRANE
 NOMINAL BURST PRESSURE 1.5 PSIG @ 100 ° F

- NOTES:
- SEE DFT-AD33109-01 FOR INLET, OUTLET, AND EXPLOSION VENT DETAILS.
 - SEE DFT-AD33110-01 FOR STANDARD ACCESSORIES.
 - USE HILTI 1.00 DIA HVA ADHESIVE ANCHOR BOLT SYSTEM WITH A MIN. 8.25 EMBEDMENT IN 3 KSI CONCRETE.
 - REQUIRES OIL FREE AND DRY COMPRESSED AIR.
 - DIMENSIONS IN () PERTAIN TO STEEP SIDED HOPPER.
 - DO NOT INSTALL OR OPERATE THIS EQUIPMENT UNTIL HAVING READ AND UNDERSTOOD THE INSTRUCTIONS AND WARNINGS IN THE INSTALLATION AND OPERATION MANUAL FOR A REPLACEMENT MANUAL, CONTACT DONALDSON COMPANY, INC.(800) 365-1331.

THIS PRINT IS NOT CERTIFIED FOR CONSTRUCTION PURPOSES
 THIS DOCUMENT IS SUBJECT TO CHANGE WITHOUT NOTICE

MATERIAL	RELEASE NO. 2003A7018	DATE JUN 2002	REV	DFT 3-24 CABINET WITH HOPPER AND LEGS
	DATE JUN 2002	DATE JUN 2002	NUMBER	DFT-AD33116-02
REFERENCE	DATE JUN 04, 2003	DATE JUN 2002	SCALE	NONE SHEET 1 of 1
	DATE JUN 2002	DATE JUN 2002	FOR	US/CADD
NOT TO SCALE	DATE JUN 2002	DATE JUN 2002	REGIONAL SUB	DIV/REV SET
	DATE JUN 2002	DATE JUN 2002	DESIGN CONTROL	ADD. 1
SCALE	SCALE	SCALE	SCALE	SCALE
SCALE	SCALE	SCALE	SCALE	SCALE

Distributed by Astro Alloys Inc. Houston, Texas 1-877-937-3838

TORIT DOWNFLO



IAF