

Recognize...

AT-1200HPHV ROTARY POWDER FEEDER



- **QUALITY** Developing and manufacturing world-class products for our customers
- **SERVICE** Thermach Inc. offers a full range of services
- **COMMITMENT** Thermach's commitment to quality ensures the latest technology and production methods

AT-1200HPHV ROTARY POWDER FEEDER

The **AT-1200HPHV** Rotary Powder Feeder is Thermach's newest release of powder feeder. This powder feeder is similar mechanically and electrically to the AT-1200 and AT-1200HP. The significant difference is in the new design of the canister, lid, and housings. The canister size has been increased to a volume over double the standard size, from 205 to 464 cubic inches. Also, this new design brings the maximum canister pressure to 500 PSI, granting the **AT-1200HPHV** the ability to be used with HVOF and cold spray systems. As with the all of Thermach's powder feeders, maintenance parts, such as powder wheels, surface rings, wiper rings, etc., which are used on the standard AT-1200 and other similar powder feeders, are interchangeable.

For added safety, each **AT-1200HPHV** canister assembly is U-Stamped, signifying it was built and approved per the American Society of Mechanical Engineers Boiler and Pressure Vessel Code. Also, each canister assembly is registered as U-Stamped with the National Board of Boiler and Pressure Vessel Inspectors.

For more information about the **AT-1200HPHV Rotary Powder Feeder**, or thermal spray parts or service, contact Thermach Inc.

Phone: 920-779-4299 • Fax: 920-779-4452

Email: davelewis@thermach.com

trudyjohnson@thermach.com

Web: www.thermach.com

THERMACH INC.
THERMAL SPRAY AND MACHINING

Distributed by Astro Alloys Inc. Houston, Texas 1-877-937-8868

AT-1200HPHV Rotary Powder Feeder Parts and Accessories

Thermach produces and manufactures consumable parts of unmatched quality, utilizing the latest technology and production methods. Custom design and machining are services that we provide for many customers that allows them to improve productivity, quality and services.



AT-1200HPHV Rotary Powder Feeder



Heater Blankets



Powder Hoses



Maintenance Replacement Parts



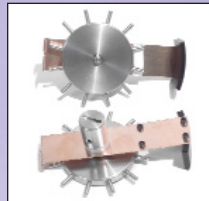
Drive Shafts



Drive Shaft Bearings



Powder Hose "y" Connectors



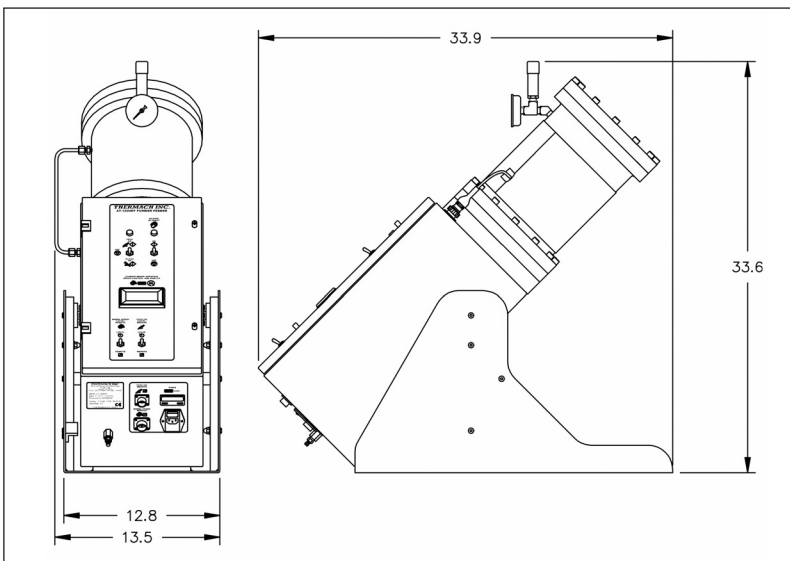
Tamper Assemblies



Powder Tubes



Powder Wheels



Specifications:

Actual weight: 125 lbs. (57kg)
Crated weight: 250 lbs. (113kg)

Power Requirements:

120 volts AC; 60/50 Hz
3 amps

0-32 rpm wheel speed

500 PSI maximum canister pressure

THERMACH INC.
THERMAL SPRAY AND MACHINING

Distributed by Astro Alloys Inc. Houston, Texas 1-877-937-3838

For more information about the AT-1200HPHV, or thermal spray parts or service, contact Thermach Inc.

Phone: 920-779-4299 • Fax: 920-779-4452 • email: davelewis@thermach.com trudyjohnson@thermach.com • www.thermach.com